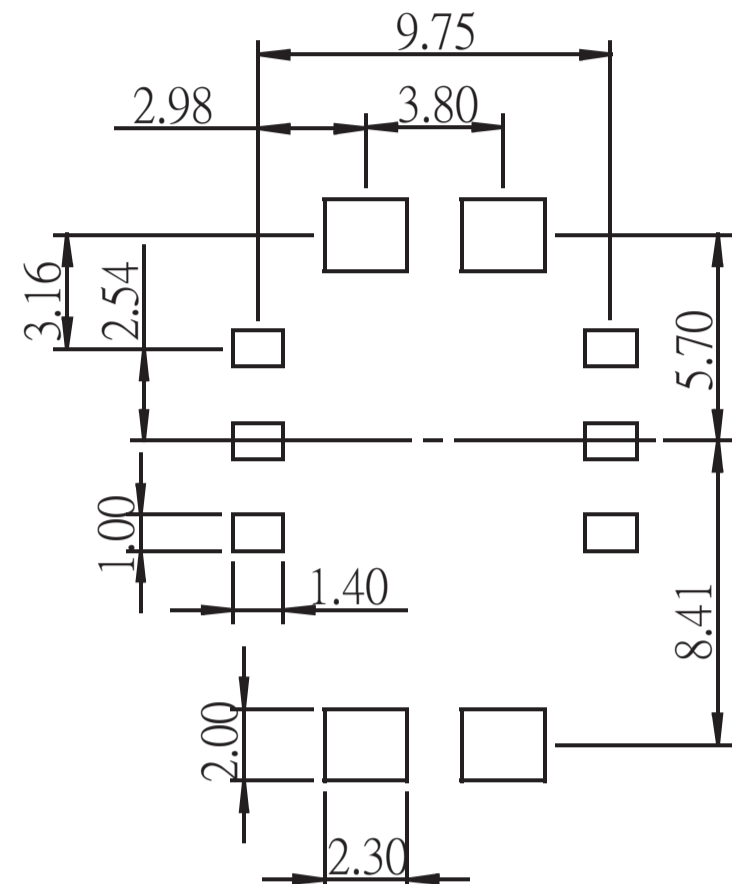


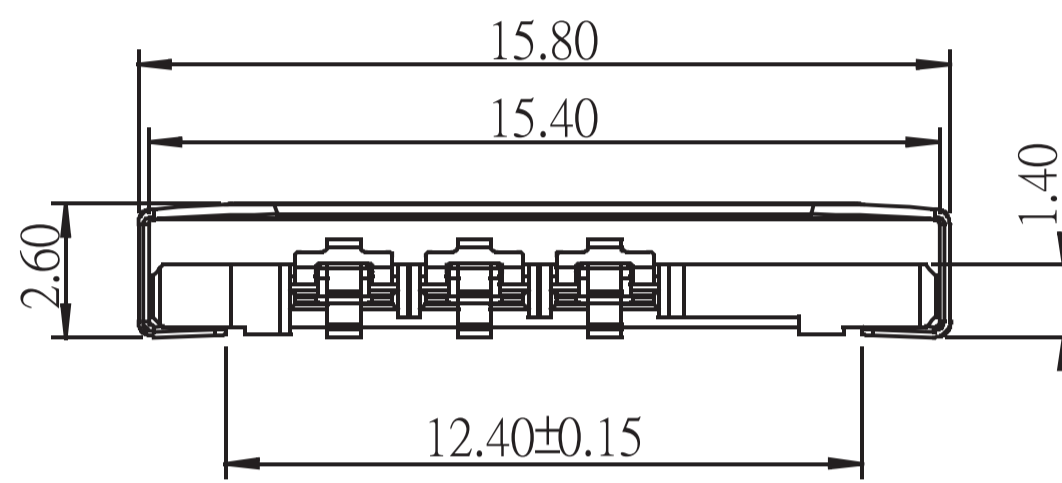
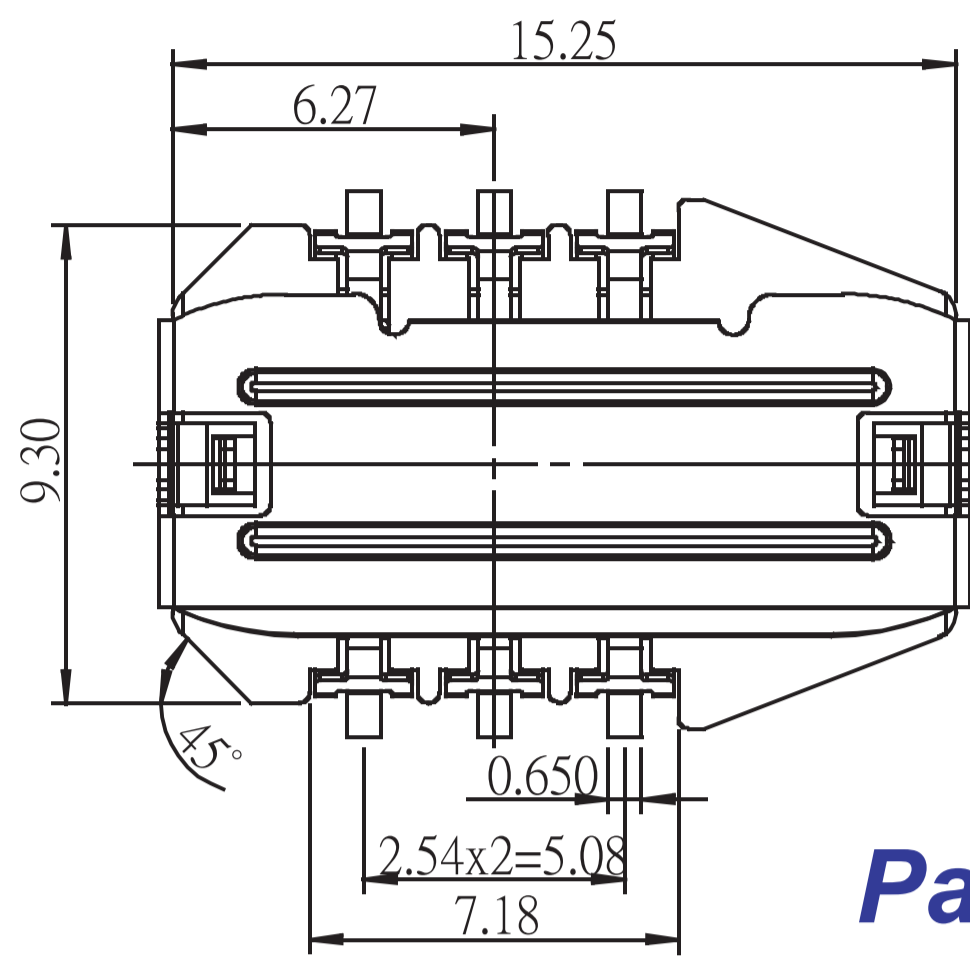
SIM Card Conn. Series

MATERIAL

Insulator Material:LCP,UL 94V-0
Contact Material:Copper Alloy
Finish:Gold Plating 15u"

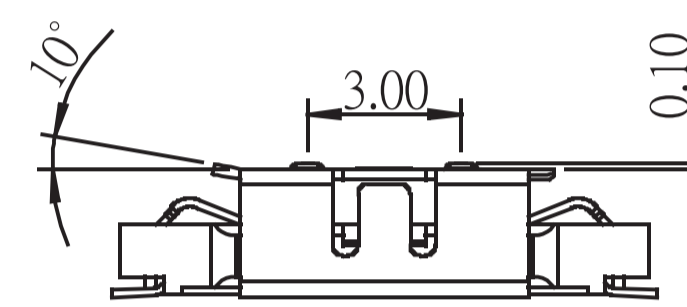
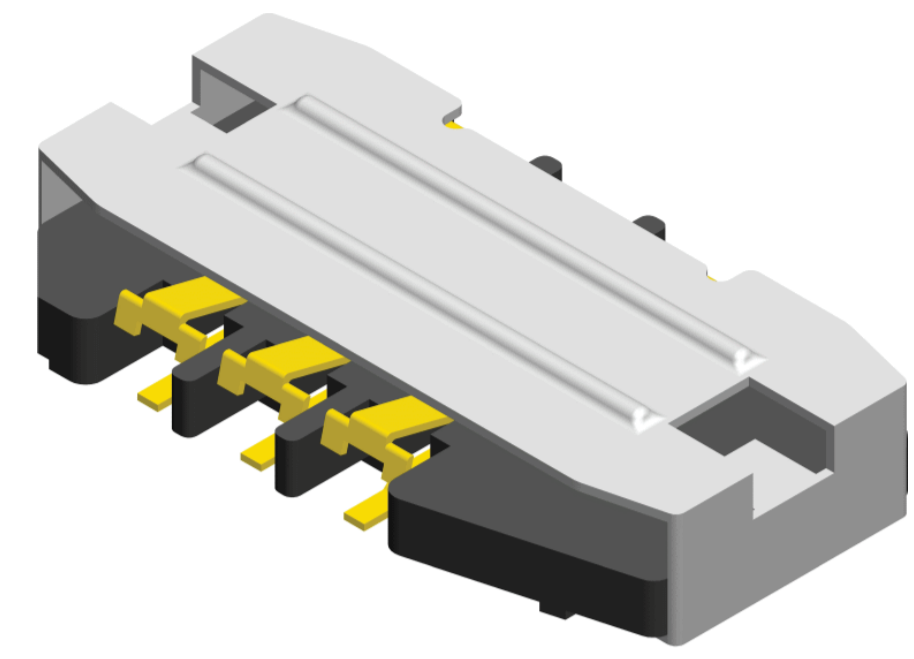


Recommended PCB Layout
(PCB TOLERANCE ±0.05)



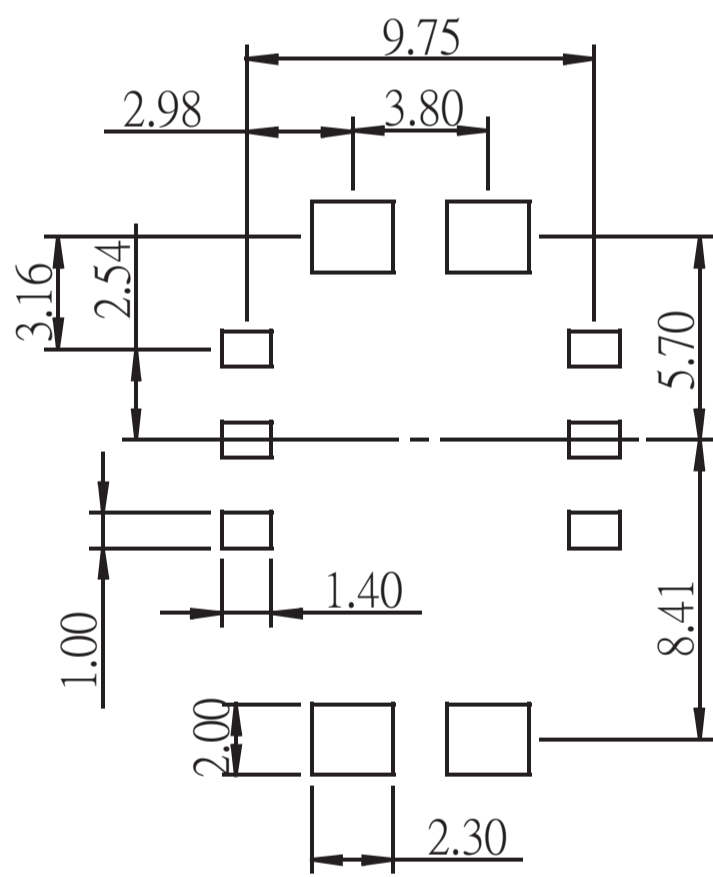
Part No.:SIMC0157- 26 A 06GFB-U

26:Plastic Height H=2.6mm

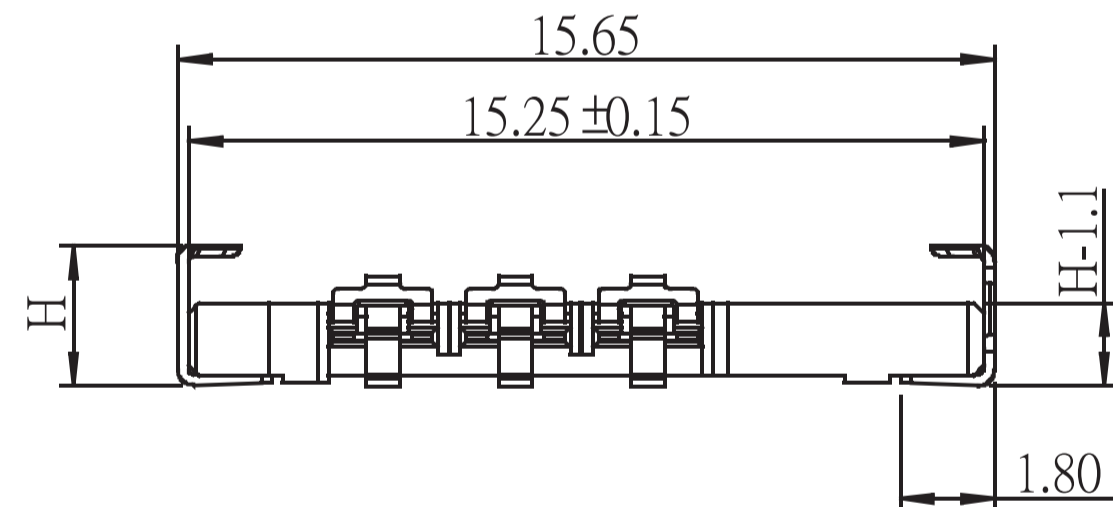
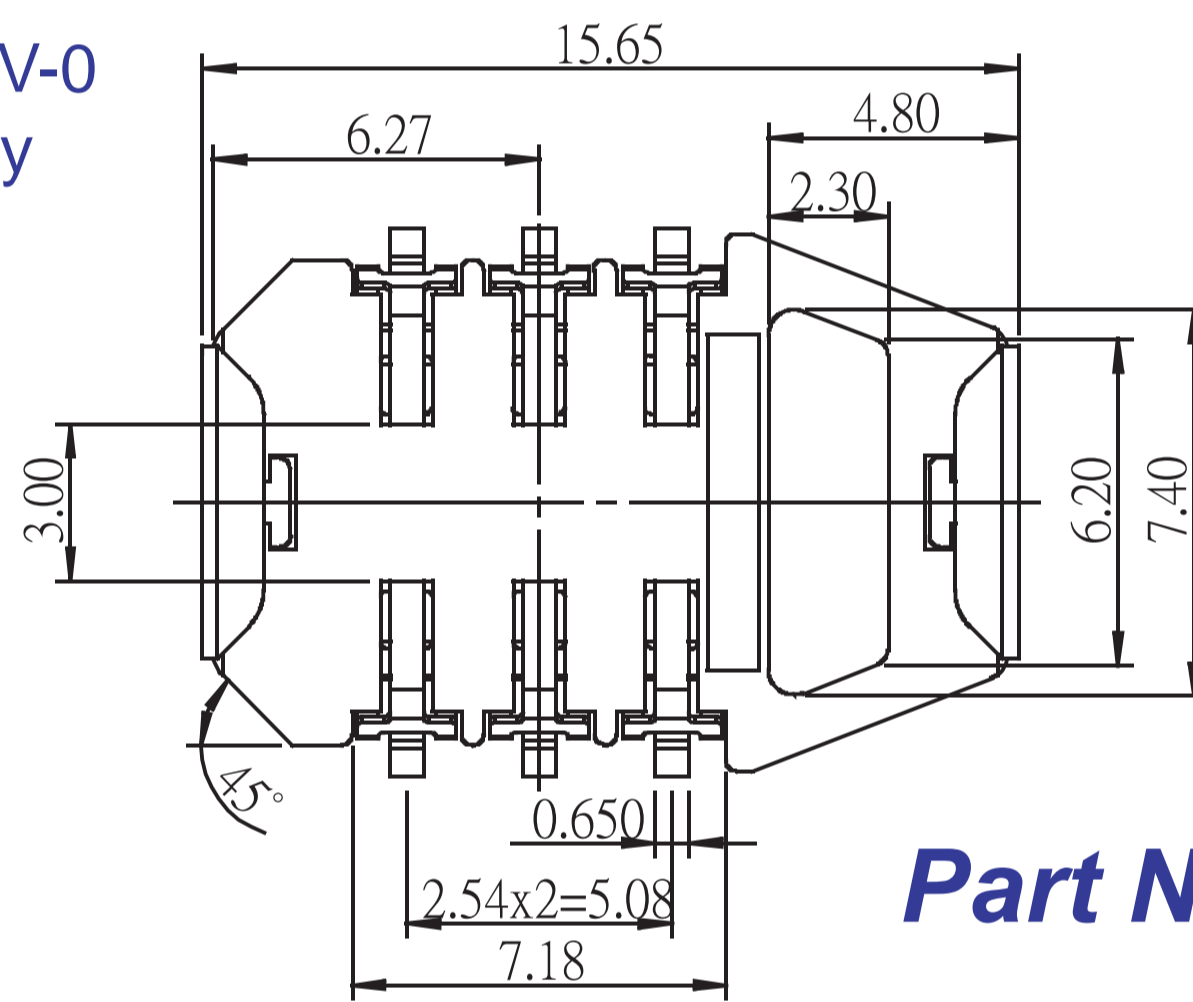


MATERIAL

Insulator Material:LCP,UL 94V-0
Contact Material:Copper Alloy
Finish:Gold Plating 15u"

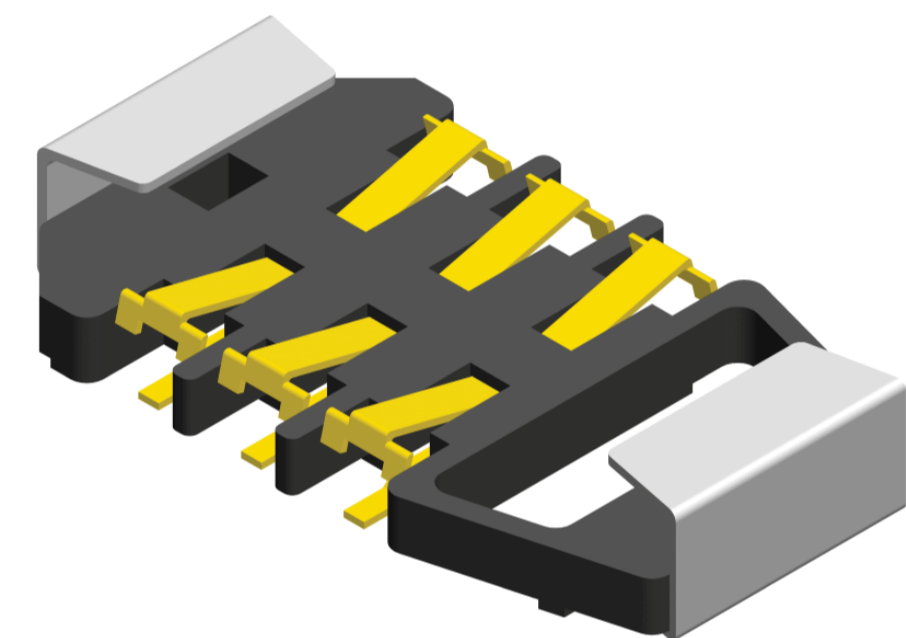


Recommended PCB Layout
(PCB TOLERANCE ±0.05)



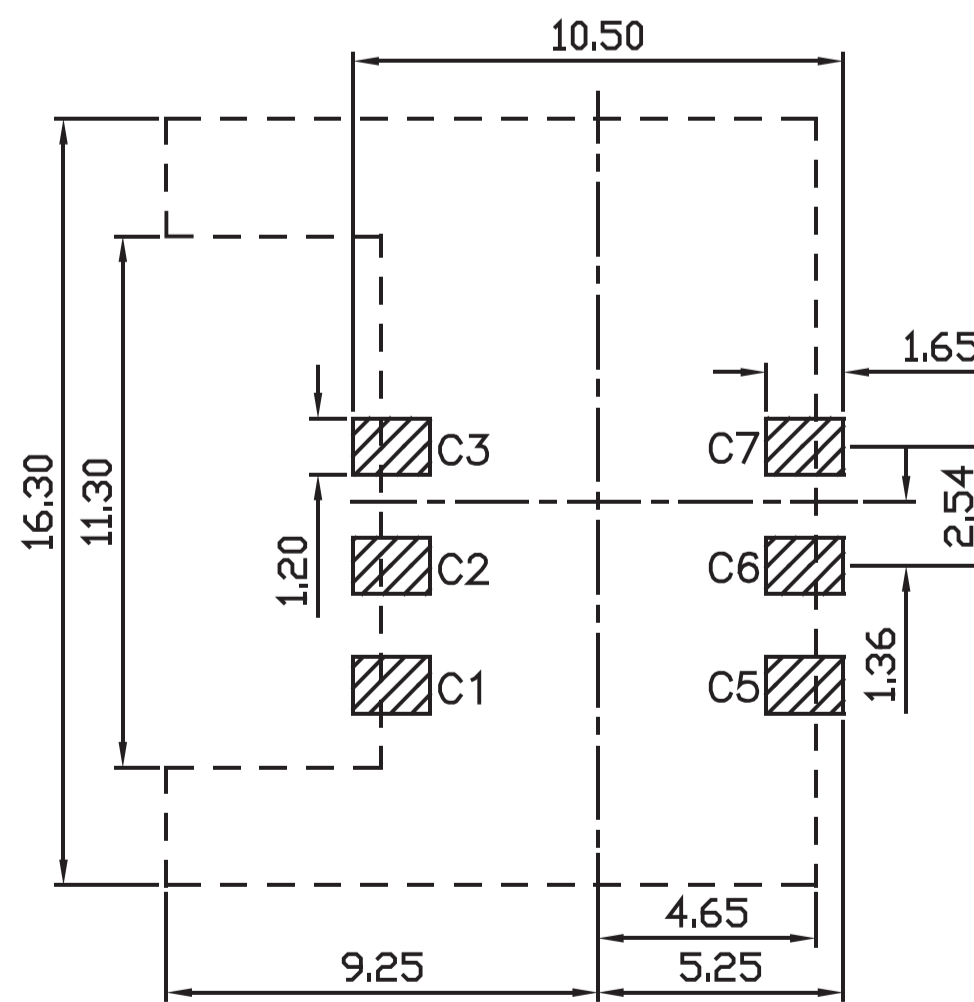
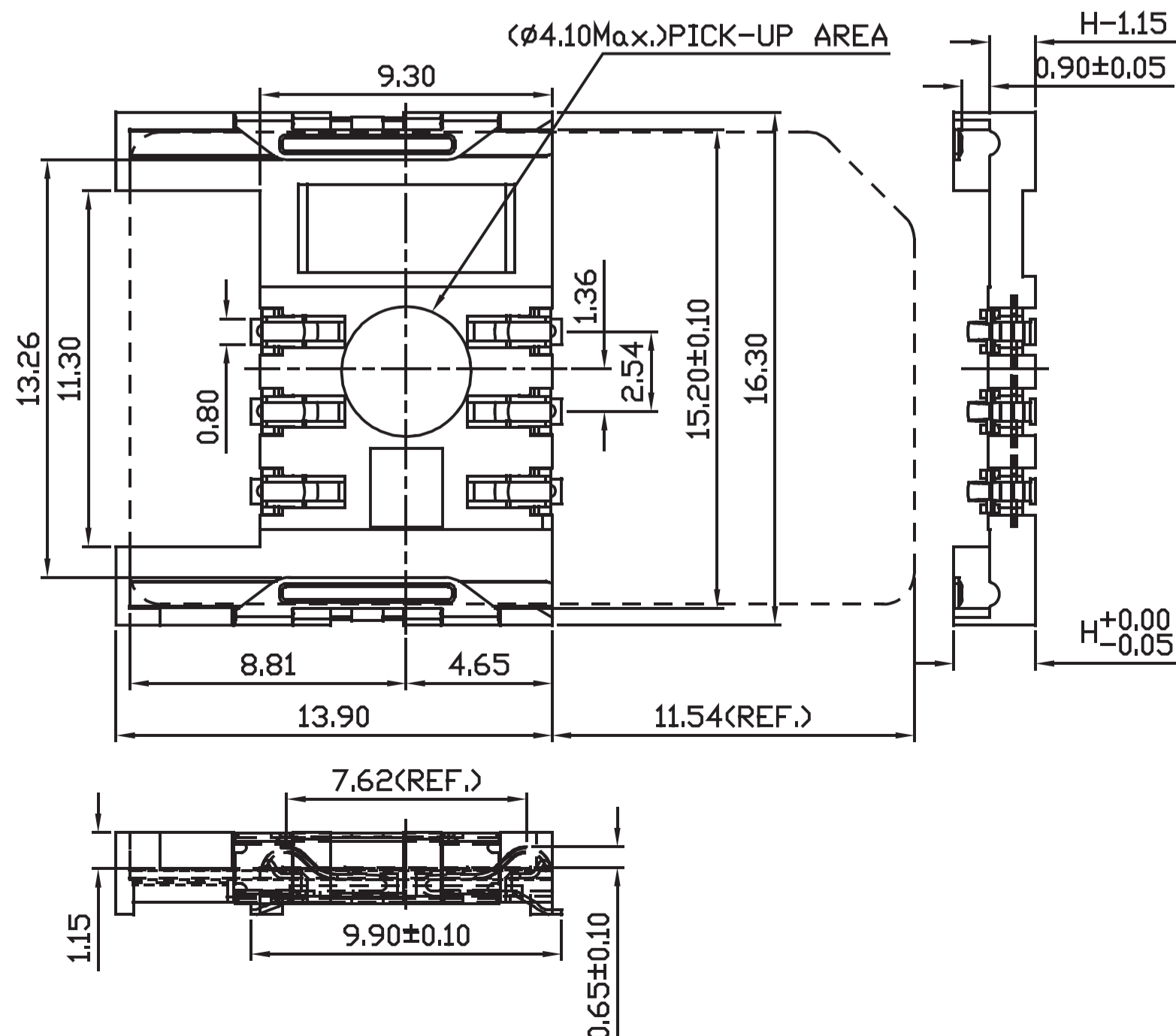
Part No.:SIMC0157- □□ B06GFB-U

25:Plastic Height H=2.5mm
27:Plastic Height H=2.7mm
29:Plastic Height H=2.9mm
31:Plastic Height H=3.1mm



MATERIAL

Insulator Material:LCP,UL 94V-0
Contact Material:Copper Alloy
Finish:Gold Flash



Recommended PCB Layout
(PCB TOLERANCE ±0.05)

Part No.:SIMC0222- □□ 06GB-U

22:Plastic Height H=2.2mm
24:Plastic Height H=2.4mm
26:Plastic Height H=2.6mm

